

124-8000

press-fit lever ball valves



altecnic
Caleffi group

124-8000 press-fit lever ball valves



Application

The Altecnic press-fit lever ball valves with press-fit ends are the ideal isolation valve, for use in copper pipe systems.

The valves offer all the benefits of heat free press fit installation, without the requirement for a hot work permit, saving time and money.

The Leak Before Press feature ensures any un-pressed joints are identified during the system pressure test.

Can be used in domestic, commercial and health care premises on cold and hot water services.

Design

Full bore design with anti blow out stem.

Lever operated through 90°, with bi-directional flow.

Red and blue levers to indicate hot or cold service.

Hard chrome plated ball for increased wear resistance.

PTFE body seats for reliable isolation.

Easy to install with just two joints to make.

Suitable for use with R250 (half hard) copper tube in sizes DN15 to DN35 and R290 (hard) copper tube in sizes DN42 and DN54.

Construction Details

Component	Material	Grade
Body	Brass	BS EN 12165 CW617N
End connection	Brass	BS EN 12165 CW617N
Ball seat	PTFE	
Ball	Brass - chrome plated	BS EN 12164 CW617N
Stem	Brass	BS EN 12164 CW617N
Stem seal	PTFE	
Stem 'O' ring	HNBR rubber	
Lever	Aluminium	
Press end 'O' ring	EPDM	

Connection	Product Code	Product Code	Product Code
Sizes	Green Lever	Red Lever	Blue Lever
15 x 15	124-8001	124-8101	124-8201
22 x 22	124-8003	124-8103	124-8203
28 x 28	124-8004	124-8104	124-8204
35 x 35	124-8005	124-8105	124-8205
42 x 42	124-8006	124-8106	124-8206
54 x 54	124-8007	124-8107	124-8207
15 x 1/2"	124-8008	124-8108	124-8208
22 x 3/4"	124-8010	124-8110	124-8210
28 x 1"	124-8011	124-8111	124-8211
35 x 1 1/4"	124-8012	124-8112	124-8212

Altecnic Ltd Mustang Drive, Stafford, Staffordshire ST16 1GW

T: +44 (0)1785 218200 E: sales@altecnic.co.uk

Registered in England No: 2095101

altecnic.co.uk

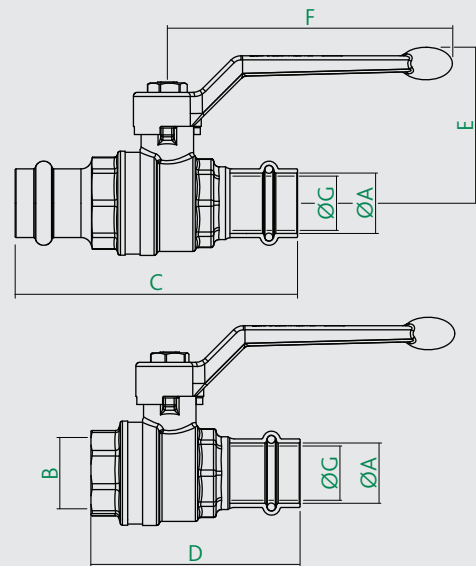
AL 289 07-03-19

E & O.E

© Altecnic Limited. 2018

ALTECNIC™

Dimensions



Connection	A	B	C	D	E	F	G*
15 x 1/2"	15	Rc1/2	93.5	70	41	85	15
22 x 3/4"	22	Rc3/4	104	77	57	105	20
28 x 1"	28	Rc1	110.5	86.5	61	105	25
35 x 1 1/4"	35	Rc1 1/4	123.5	99	70	130	32
42 x 42	42		158.5		81	130	40
54 x 54	54		179		97	165	50

* ØG is the minimum port diameter through the ball and exceeds the full bore diameter circle specified in BS EN 13547.

Pressing Profile

	R250	R250	R250	R250	R290	R290
Copper Pipe	15 x 1	22 x 1	28 x 1	35 x 1	-	-
BS EN 1057	15 x 1.5	22 x 1.5	28 x 1.5	35 x 1.5	42 x 1.5	54 x 1.5
Pressing Tool	V	V	V	V	V	V
	M	M	M	M	NO	NO

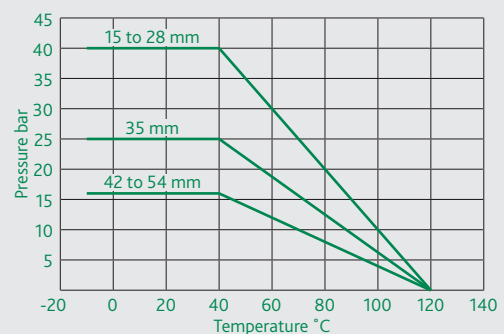
Technical Data

In accordance with BS EN 13547

Threaded connection to BS EN 10226

PED directive classification Group 2 Liquids SEP

Pressure - Temperature Diagram



altecnic
Caleffi group